

FIRE-LINK® II

Fire Alarm Signaling System by Signalink

TPC-101 TRANSFORMER PHASE COUPLER



APPLICABLE STANDARDS

- UL-508 Industrial Control Equipment



TECHNICAL FEATURES:

- Simple installation into electrical distribution panel
- Operates on two & three phase systems
- Couples two or three phases

DESCRIPTION

The Fire-Link® II - TPC-101 couples power line signals used in the Fire-Link® II system to two or three phases of the power distribution system in the building. One TPC-101 is required for every transformer supplying the building.

SIMPLE INSTALLATION

The Fire-Link® II - TPC101 can be installed without difficulty to most common electrical distribution panels and can support most common voltage and network configurations. It targets all residential power line networks, light commercial power line networks, light industrial power line networks, along with two-phase-only power line networks.

FIRE-LINK® II

Fire Alarm Signaling System by Signalink

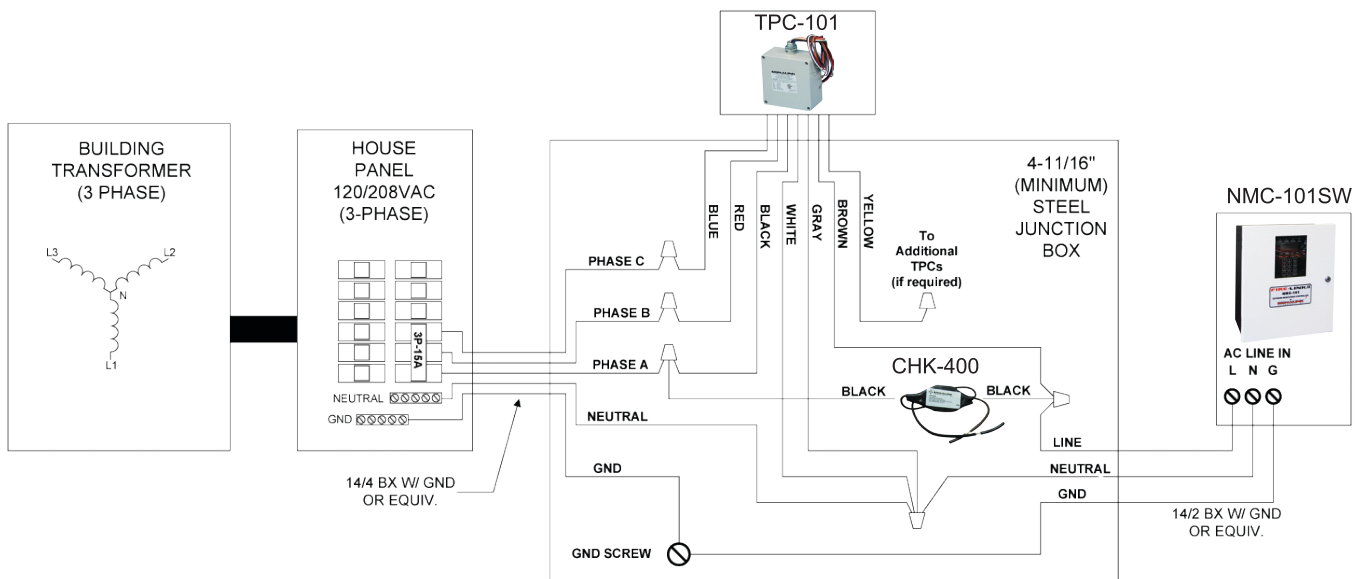
TPC-101 TRANSFORMER PHASE COUPLER

SPECIFICATIONS

Enclosure Dimensions	4.74"x4.75"x2"(120x120,50.8mm) 6"x4.75"x2"(152x120x50.8mm)	HxWxD nominal
Operating Voltage, Nominal	102-275V AC, 60 Hz	
Enclosure Material	ABS/UL-94V	(indoor use only)
Operating Temperature	0 to +40 °C	<90% Humidity

ORDERING INFORMATION

Model	Description
TPC-101	Transformer Phase Coupler 160kHz



Signalink Technologies Inc.
14 - 2550 Acland Road
Kelowna, BC, Canada V1X 7L4
 Phone: 1.250.491.3883
 Toll Free: 1.888.491.3883
 Fax: 1.250.491.3895
 Web: www.signalink.com

sales@signalink.com
 1.888.491.3883

Avery® Product # 5662